

auto electrical parts

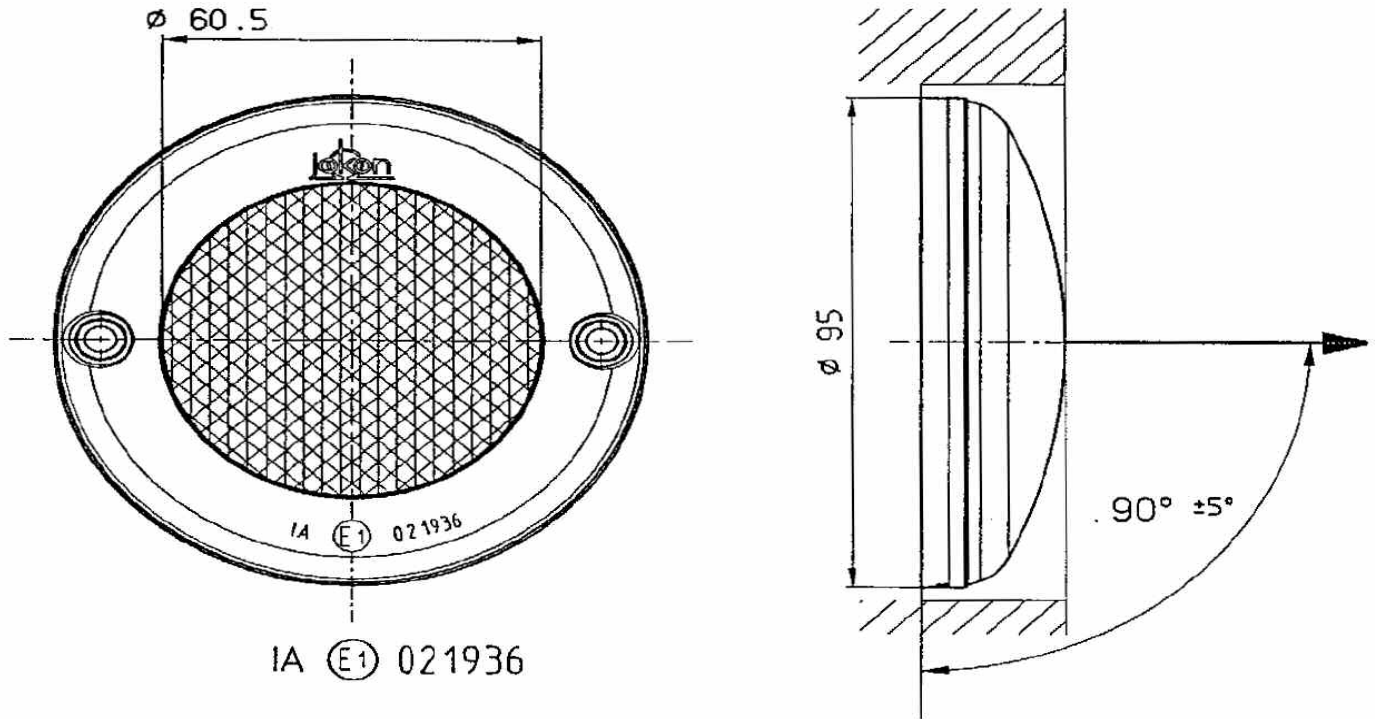
Technical Information Sheet

Part No. 0-665-20

Red Reflector. 95mm diameter. Suits 95mm light range.
2 x 5mm screw holes. E Marked.



Technical Drawing (not to scale)



Specification

Type	Reflector
Material	Polycarbonate
Dimensions	As above
Weight	65g
Certifications	E Marked

The information contained in this document is correct to the best of our knowledge at the time of printing. However, specifications may change at any time without notice.